

CXA-0326 (5W DUAL OUTPUTS WITH DIMMING FUNCTION)

DESCRIPTION :

This low profile DC to AC Inverter is developed for dual lamps, low power LCD back-light. Application includes industrial PC and LCD monitor.

Applicable LCD; NL6448BC26-01 (NEC 8.4 inch double lamp type)

Lamp Voltage 410Vrms
Lamp Current 5mArms
Lamp Start Up Voltage 1200Vrms

FEATURES :

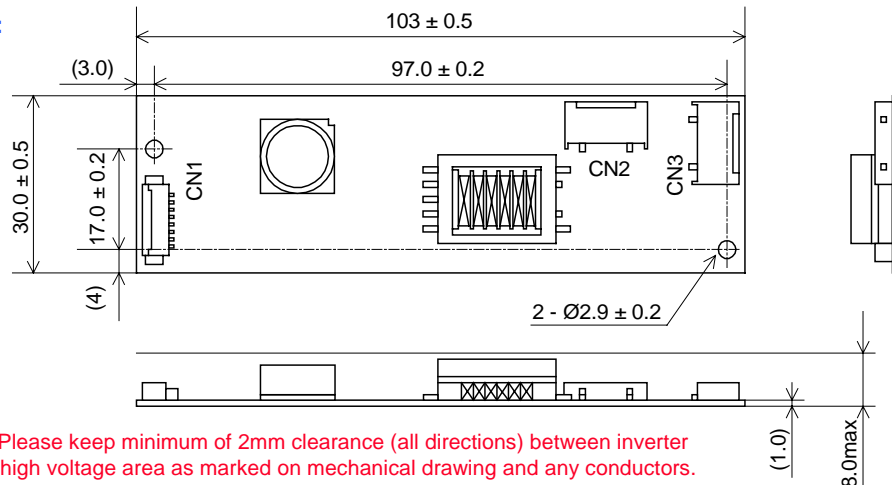
Wide operating temperature range
Alarm signal function
PWM dimming type.
Silicon Coating in High Voltage area



TEMPERATURE & HUMIDITY :

Operating Temperature Range -10 °C ~ +70 °C
Storage Temperature Range -30 °C ~ +85 °C
Humidity 95 %RH max

DIMENSIONS :



Unit : mm
Weight :25 (g) typ.

Note 1 : Please keep minimum of 2mm clearance (all directions) between inverter high voltage area as marked on mechanical drawing and any conductors.

No.	Part Description	Qty.	Note	
1	PWB	1	UL94V-0	t=1.0mm
2	Connector CN1	1	53261-0890	(Molex)
3	Connector CN2 , CN3	2	SM02(8.0)B-BHS-1	(JST)

CN1 : 53261-0890 (Molex)

Pin	Symbol	Note
CN1-1	Vin	9 ~ 19V
CN1-2		
CN1-3	GND	0 V
CN1-4		
CN1-5	Vrmt	0 ~ 0.4V : OFF 2.5V ~ Vin : ON
CN1-6	Vbr	0 ~ 2.5V
CN1-7	GND	0V
CN1-8	Vst ^{*1}	0V / 5V

CN2 : SM02(8.0)B-BHS-1 (JST)

Pin	Symbol	Note
CN2-1	Vhigh1	340Vrms (5mArms)
CN2-2	N.C.	-
CN2-3	Vlow1	0V

CN3 : SM02(8.0)B-BHS-1 (JST)

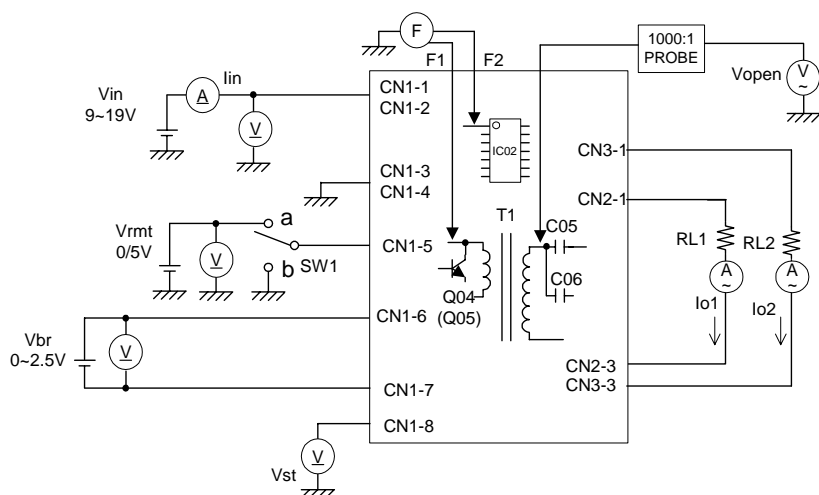
Pin	Symbol	Note
CN3-1	Vhigh2	340Vrms (5mArms)
CN3-2	N.C.	-
CN3-3	Vlow 2	0V

CXA-0326 (5W DUAL OUTPUTS WITH DIMMING FUNCTION)

ELECTRICAL CHARACTERISTICS :

Parameters	Symbol	Conditions				Specifications			Unit	Note	
		Vin (V)	Vrmt (V)	Vbr (V)	Ta (°C)	min.	typ.	max.			
Output Current	Iout1 / Iout2	12	5	0	23 ± 5	68 68	5.0	5.5	6.0	mArms	Max Brightness.
		12	5	2.5	23 ± 5	68 68	2.0	2.5	3.0	mArms	Min Brightness.
Input Current 1	Iin1	9.0 to 19.0	5	0	23 ± 5	68 68	-	-	0.75	Adc	
Input Current 2	Iin2	12	0	0	23 ± 5	68 68	-	-	2	mAdc	
Frequency	F1	12	5	0	23 ± 5	68 68	50	55	60	kHz	
Frequency (Duty)	F2	12	5	2.5	23 ± 5	68 68	320	350	380	Hz	
Open Voltage	Vopen	9.0	5	0	23 ± 5	∞ ∞	1100	1300	1500	Vrms	
		9.0 to 19.0	5	ANY	23 ± 5	68 ∞	4.5	5.0	5.5	Vdc	RL2 open
Alarm Signal *1	Vst	9.0 to 19.0	5	ANY	23 ± 5	∞ 68	4.5	5.0	5.5	Vdc	RL1 open
		9.0 to 19.0	5	ANY	23 ± 5	68 68	-	0	0.5	Vdc	Normal

TEST CIRCUIT :



SW1	Operation of unit
a	Operation
b	Non operation
Open	Non operation